

MC-80

Automated Digital Cell Morphology Analyzer
Technical Specifications

Analysis mode

WBC, RBC+PLT, PLT-Pro, Digital Slide
Different combinations of analysis mode could be triggered according to the results of hematology analyzer.

Throughput

Peripheral blood: up to 60 Slides/hour (100WBC+RBC+PLT)
** Values provided are approximate due to WBC concentration, number of non-WBCs and quality of the smear.*

Oiling Method

Automatic oil dripping

Slide Storage Capacity

Up to 60 completed slides at the same time

Quality Control

Cell location accuracy test for the verification of the hardware and stain quality

Communication

Bi-directional LIS
Ethernet 10/100/1000 Mbps

Supported Printers

Laser/inkjet printers supported by Windows

System Components

labXpert software
Computer with operating system of Windows 10 or above

Data Storage Capacity

Up to 80,000 samples
Support data and cell images archiving of peripheral blood slides

Operating Environment

Ambient temperature: 15°C~32°C
Relative humidity: 30%~85%
Atmospheric pressure: 70.0kPa ~ 106.0kPa (Altitude height: -400 m to +3000 m)

Power Supply

Voltage: 100 V~240 V (allowable deviation:±10%)
Frequency: 50Hz/60Hz (allowable deviation: ±2Hz)
Power: 300VA

Dimensions and Weight

Analyzer dimensions
Width×Depth×Height ≤ 600mm×570mm× 700mm
Analyzer weight ≤100 kg

Diverse configurations to meet all kinds of demands

CAL 6000



Width×Depth×Height : 2970×1030× 810 (mm)

CAL 8000



Width×Depth×Height : 5360×1030× 1470 (mm)

mindray

MC-80

Automated Digital Cell Morphology Analyzer

More Clarity. More Intelligence.
More Productivity.



www.mindray.com

P/N:ENG-MC-80-210285X8P-20210926
©2021 Shenzhen Mindray Bio-Medical Electronics Co.,Ltd. All rights reserved.

mindray
healthcare within reach

Distributed by Abacus dx

1800 ABACUS (AUS) 0800 222 170 (NZ) | info@abacusdx.com | www.abacusdx.com

abacus dx

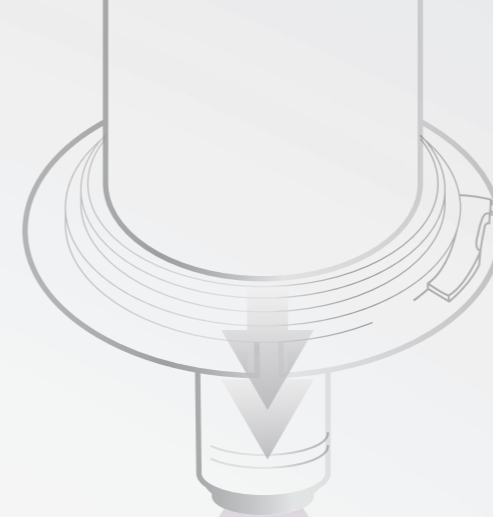
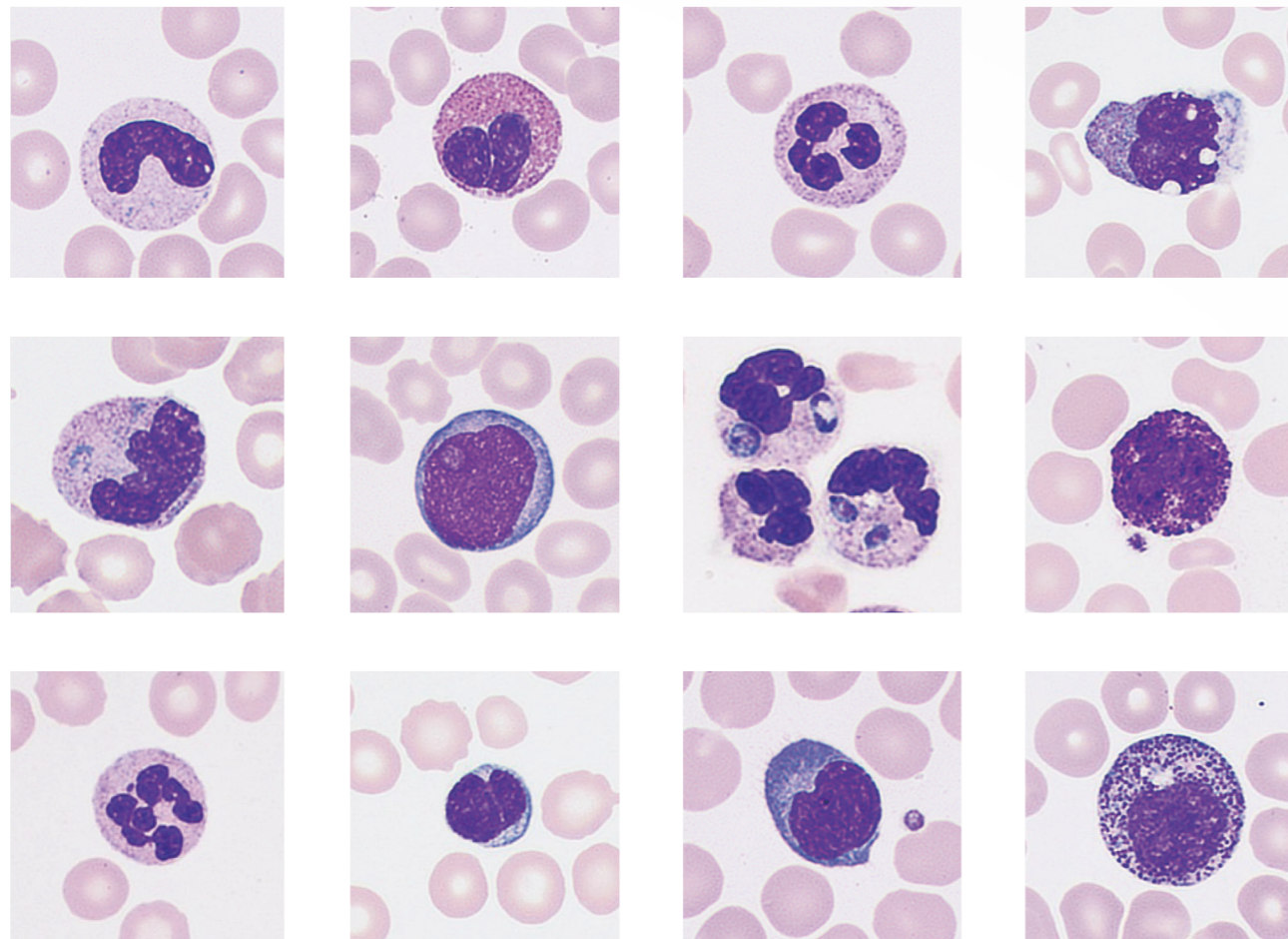
MC-80

Automated Digital Cell Morphology Analyzer

More Clarity

Display the ultra clarity and authenticity of each cell

The high-performance objective lens and advanced image sensor offer ultra resolution images to reappear the real view under the microscope.



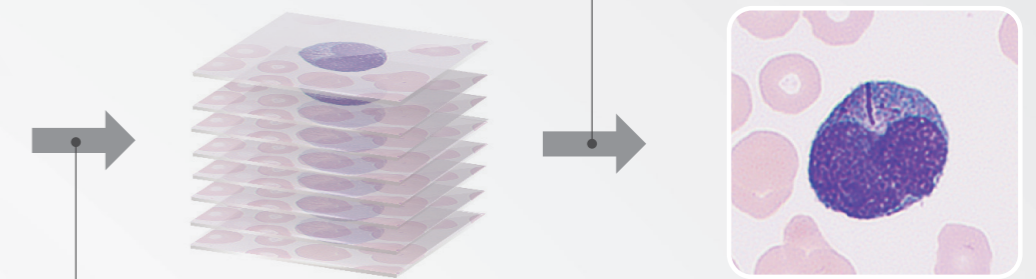
Capture comprehensive pathological features of each cell

Multi-layer fusion technology

Simulates manual focus adjustment and accurately restores the pathological features of cells, which is helpful for early screening of blood diseases (such as acute promyelocytic leukemia) and infectious diseases.

High-speed continuous capturing

Fuses all images to capture concise pathological features



Capture all details with more than 20 depths of field



More Intelligence

Reliable cell pre-classification and pre-characterization

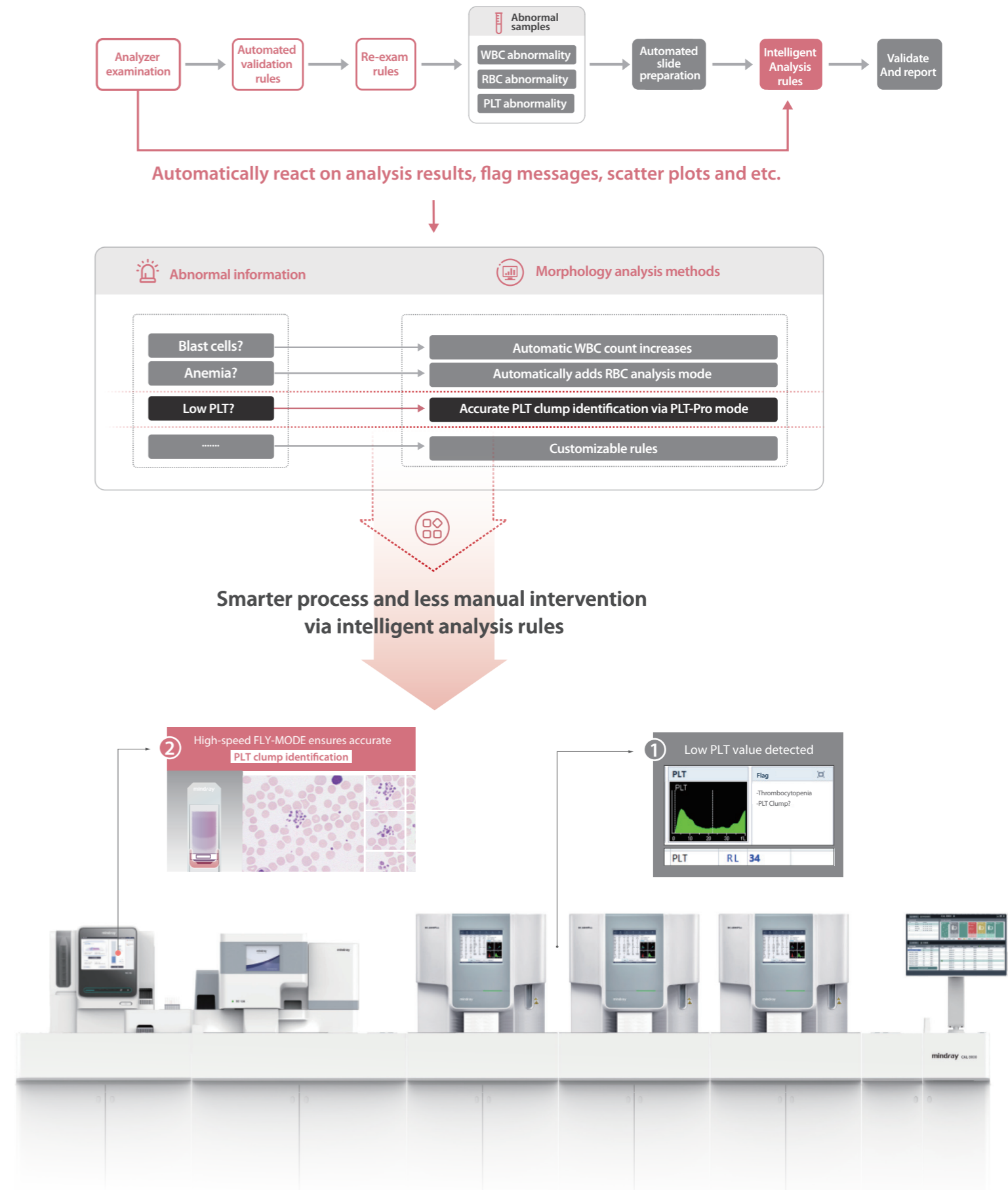
— Accurately pre-classifies white blood cells, especially abnormal cells, such as blast cells, reactive lymphocytes, etc.

— Pre-characterized RBC morphology can be modified with one click.

— PLT counting assistance

High-speed FLY-MODE ensures the accurate **PLT clump identification**

Intelligent analysis rules facilitate a smart process and less manual intervention



More Productivity



60 Slides/hour
Industry-leading high throughput

SOLID ROCK Hyper-stable anti-shake system: Aerospace materials and cutting-edge high-frequency exposure algorithm are integrated to eliminate blurred images.



Automatically receives prepared smears



Easily search and take slides with one click



User-friendly and intuitive workflow



High-end touch screen for intuitive interactions



STAT function for urgent cases

Remote review and consultation in multiple locations

