

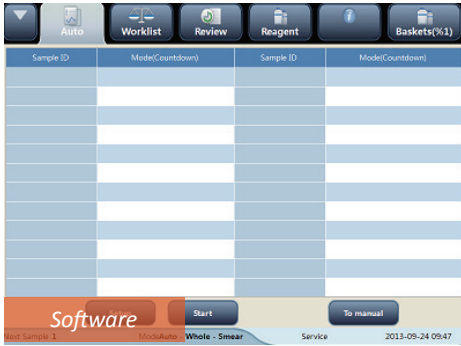
**mindray**

# SC-120

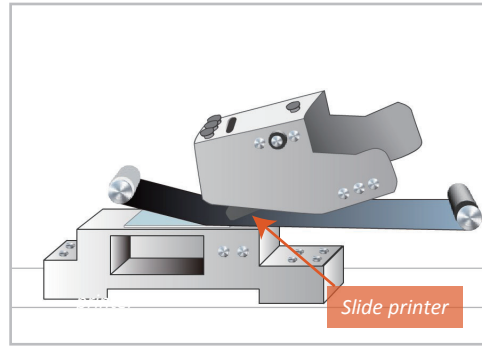
Slide Maker & Stainer

## Reliable automation High-class blood smear





The 7.8 inch LED touch screen is used for management of smear and reagent, performing basic operation and maintenance.



All patient information, including 1D or 2D barcode, number, as well as text could be printed on the frosted glass area of the slide with a durable thermal printer.

## 01 Reliable



### Configurations

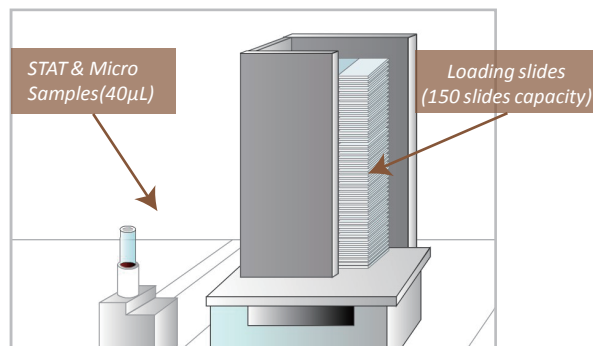
SC-120 is a standalone unit and it could also be integrated into the Mindray CAL 8000 cellular analysis line.



## 02 Automated



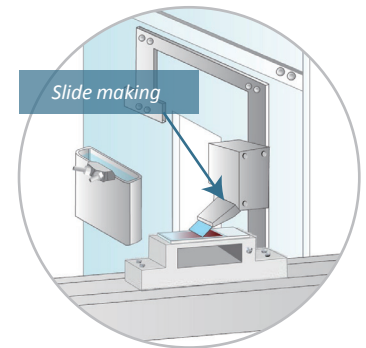
The cassette, which is used for carrying glass slides could be easily loaded from the front of SC-120, and be automatically transported inside by the track.



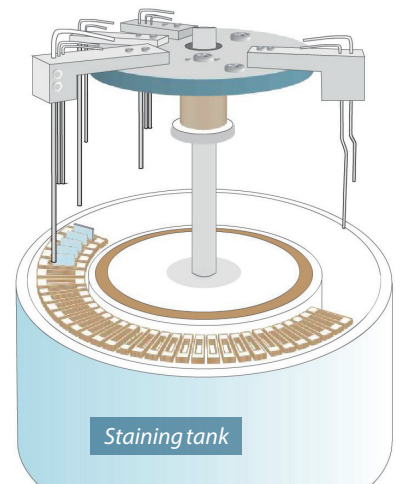
The STAT position ensures a faster blood smear preparation. This position can handle micro-samples requiring only 40µL blood, this is the smallest blood requirement in the hematology industry. Users are able to load up to 150 slides at a time into SC-120 for reducing the turn around time.

## 03 High class

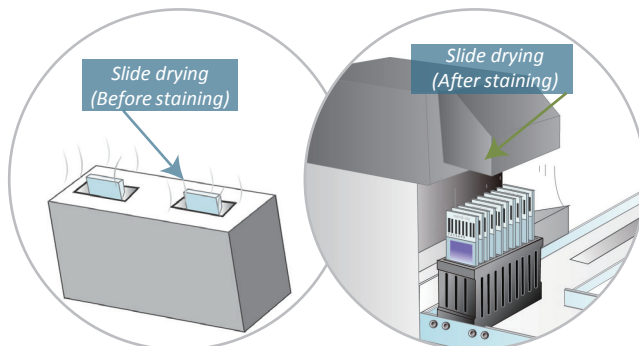
The blood spreader(or pusher) blade is made of highly durable sapphire glass. The blood volume requirement and the speed as well as angle of the blood spreader (or pusher) are automatically adjusted according to the blood sample's consistency.



**Staining Cassette**  
Each staining cassette holds single slide for staining, this eliminates the problem of stain evaporation and these cassettes could be cleaned automatically without any manual interventions.



SC-120 supports the globally common stain protocols including Wright stain, Wright-Giemsa stain and May-Grunwald-Giemsa stain. The stain A could be recycled up to 20 times, this saves over 50% the stain compared to the conventional technologies.



All slides are heat dried before and after staining. This optimizes staining quality and reduces contamination risk for the users.

### Output

Both, the stained and dried slides are held in the cassettes at the output area where they are ready for a microscope review.



## Technical Specifications

### Technology

Automated slide making & staining by single instrument  
Automated detection of blood consistency and automated adjustment of blood volume, angle & speed of spreader(or pusher) accordingly to optimize quality of smear (or blood film)

### Stain protocols

Wright stain,  
Wright-Giemsa stain  
May-Grunwald-Giemsa stain  
With possibility to recycle stains up to 20 times

### Throughput

Up to 120 stained slides per hour

### Sample volume

200µL (autoloader and on track mode)  
40µL (Micro-sample mode)

### Printer

Built-in thermal printer for printing patient information including:  
1D or 2D barcode, Number and Text

### Interface

LAN port \* 1, USB port \* 4

### Configurations

Standalone or on track (CAL 8000 cellular analysis line)

### Dimensions/Weight

Configuration	Unit	Width(mm)	Height(mm)	Depth(mm)	Weight(kg)
Standalone	Main unit	845	610	910	200
	Pneumatic unit	305	425	475	25
On track	Main unit	845	610	815	185
	Pneumatic unit(in conveyor)	/	/	/	/

### Autoloader

Load up to 50 sample tubes at once, random access

### Cassette

Load up to 10 cassettes at once, each cassettes can hold up to 10 sides

### Reagents & Consumables

Stains, Buffer fluid, Diluent, Probe cleanser, slides (Mindray provided)  
Methanol, Deionized water (Locally sourced)

### Reagent consumption

User-definable permitting up to 20 times recycling of stains

### Sample selectivity

Automatic slide making & staining based on user-definable re-exam criteria

### Slide

1-5 slides at a time per sample

### Spreader blade material

Sapphire glass

[www.mindray.com](http://www.mindray.com)

P/N: ENG-SC-120-21285x4P-20171017

©2017 Shenzhen Mindray Bio-Medical Electronics Co.,Ltd. All rights reserved.

**mindray**  
healthcare within reach

Distributed by Abacus dx

1800 ABACUS (AUS) 0800 222 170 (NZ) | [info@abacusdx.com](mailto:info@abacusdx.com) | [www.abacusdx.com](http://www.abacusdx.com)

abacus dx